

COPYRIGHT ALL RIGHTS RESERVED

DO NOT SCALE

NOTE:

- ALL TIMBER IS HARDWOOD F17 CLASS 2 DURABILITY OF BETTER. BLACKBUTT
- ALL FASTENERS ARE 304 STAINLESS STEEL.
- ALL FRAME BRACKETS ARE ALUMINIUM GRADE 6063-T5.
- STAINLESS STEEL FASTENERS IN CONTACT WITH THE ALUMINIUM BRACKETS ARE TO BE ISOLATED WITH A NYLON WASHER.
- ALL THROUGH BOLTS ARE TO BE FITTED WITH NYLOC NUTS.
- USE ANTI-SIEZE ON ALL BOLT THREADS PRIOR TO FASTENING.
- ALL EXPOSED BOLTS ARE RECESSED INTO THE TIMBER BY COUNTERBORING
- FLOTATION MODULES ARE MARINE DOCK SYSTEMS, POLYETHYLENE MODULE FLO185-2914

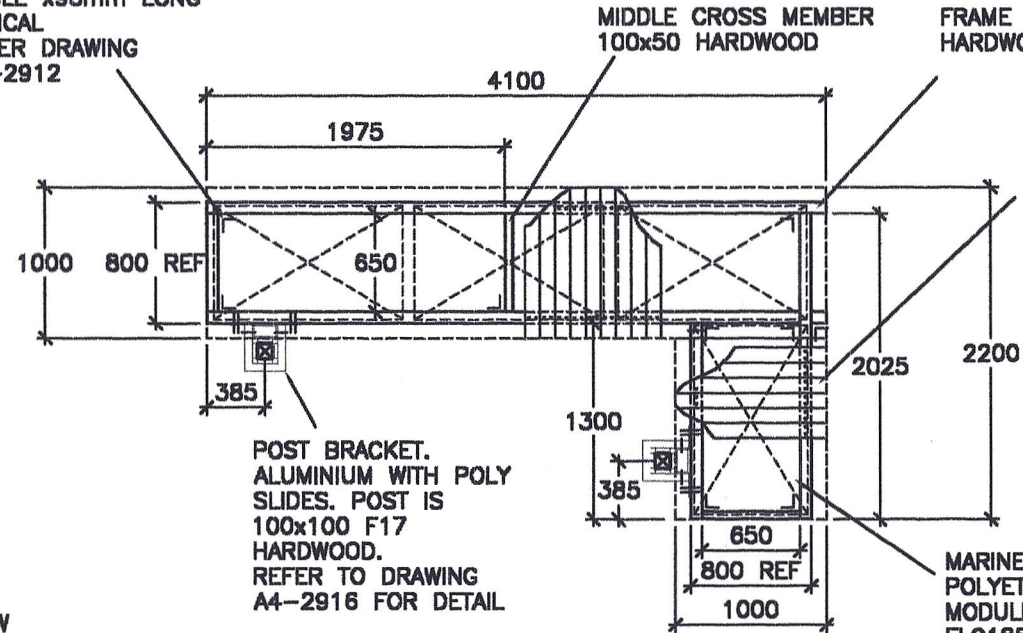
FRAME BRACKET
80x80x10 ALUMINIUM
ANGLE x90mm LONG
TYPICAL
REFER DRAWING
A4-2912

MIDDLE CROSS MEMBER
100x50 HARDWOOD

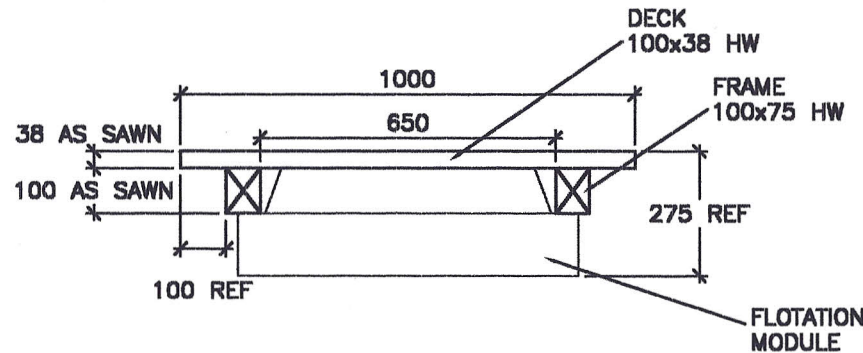
FRAME 100x75
HARDWOOD

DECKING 100x38
HARDWOOD FIXED WITH
14-10x75mm BUGLE
HEAD BATTEN SCREWS
S/S

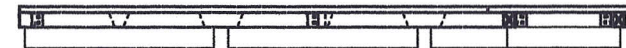
MARINE DOCK SYSTEMS
POLYETHYLENE FLOTATION
MODULE
FLO185-2914
4 REQUIRED



PONTON PLAN



PONTON SECTION DETAIL



PONTON PROFILE

REFER TO DRAWING A4-2912
FOR FRAME BRACKET DETAIL.
REFER TO DRAWING A4-2916
FOR POST BRACKET DETAIL

**MARINE DOCK SYSTEMS
PTY LTD**

BICENTENNIAL PARK
TEACHING SQUARE
WEST (NEW)

LOW FREEBOARD
PONTON DETAIL



SCALE	N.T.S.	DWG	A4-2922	
DRAWN	JPM	REV	A	27,6,03
DATE	27,6,03	CHK		APP'D