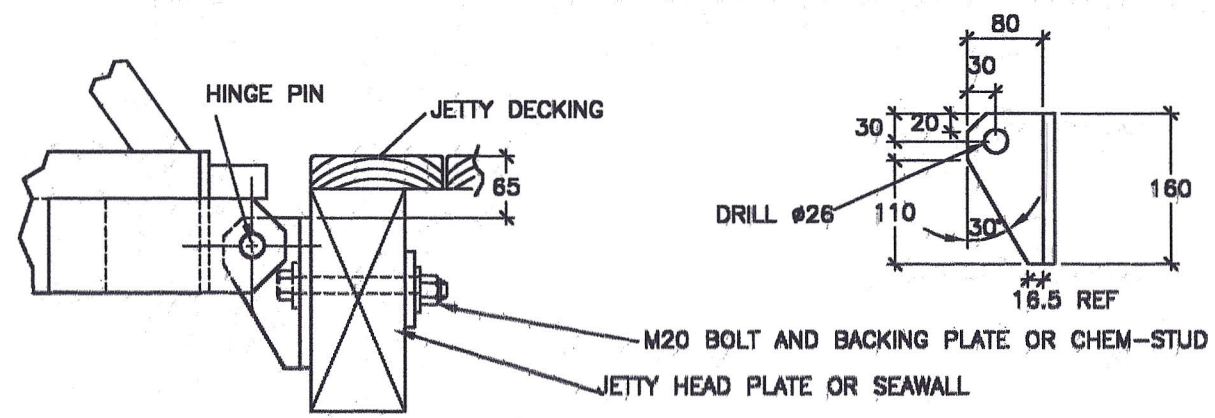
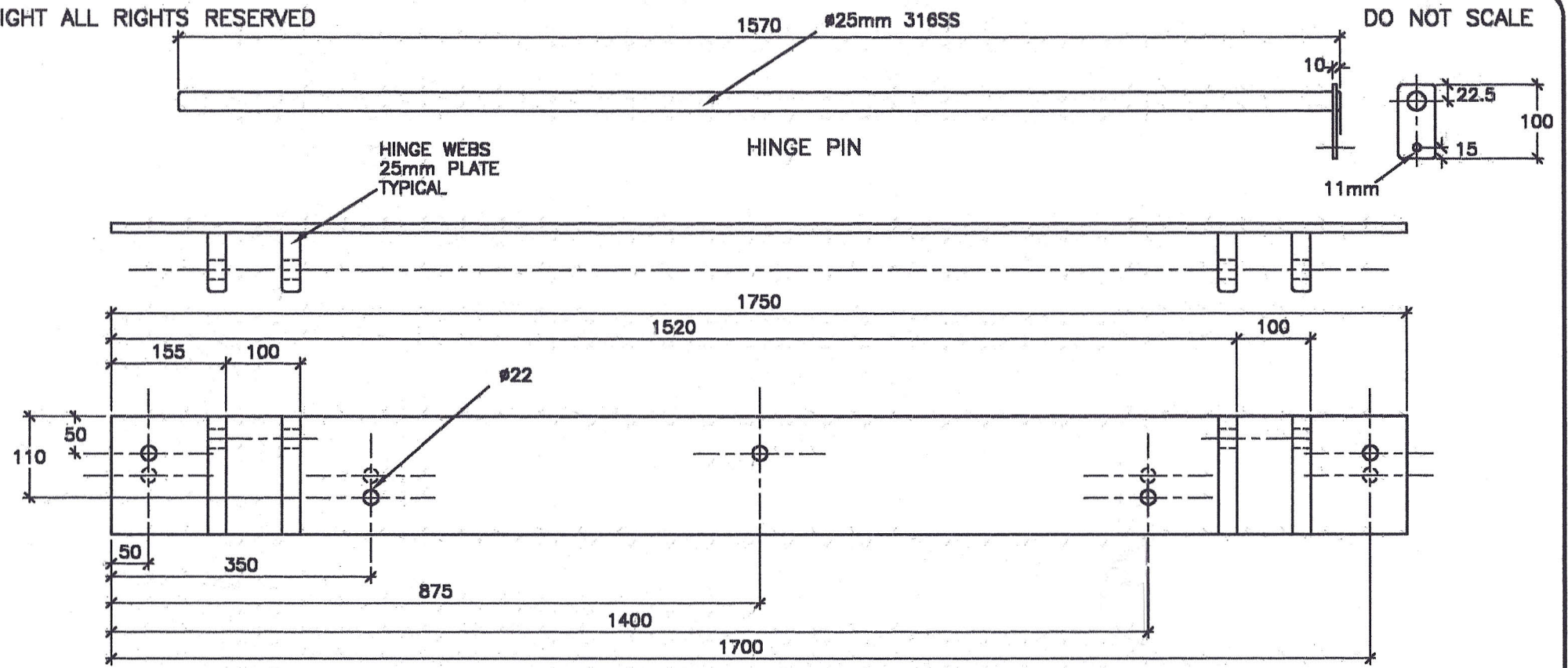


COPYRIGHT ALL RIGHTS RESERVED

DO NOT SCALE



NOTE--ALL STRUCTURE IS FULLY WELDED,  
 --THE NOMINAL WELD SIZE IS TO BE 6mm.  
 --ALL EXTRUSIONS ARE TO BE OF GRADE 6063 T5 OR EQUIVALENT  
 --FILLER ALLOY IS TO BE OF GRADE 5356 OR EQUIVALENT MATERIAL OF SIMILAR OR GREATER STRENGTH.

HINGE ASSEMBLY SIDE VIEW

**MARINE DOCK SYSTEMS  
 PTY LTD**

**ALUMINIUM RAMP  
 HINGE BRACKET**

**RAMP-2954  
 BRACKET AND  
 ASSEMBLY DETAIL**



SCALE	N.T.S.	DWG	<b>A4-2957</b>	
DRAWN	J.P.M	REV	A	4,11,03
DATE	4,11,03	CHK		APP'D