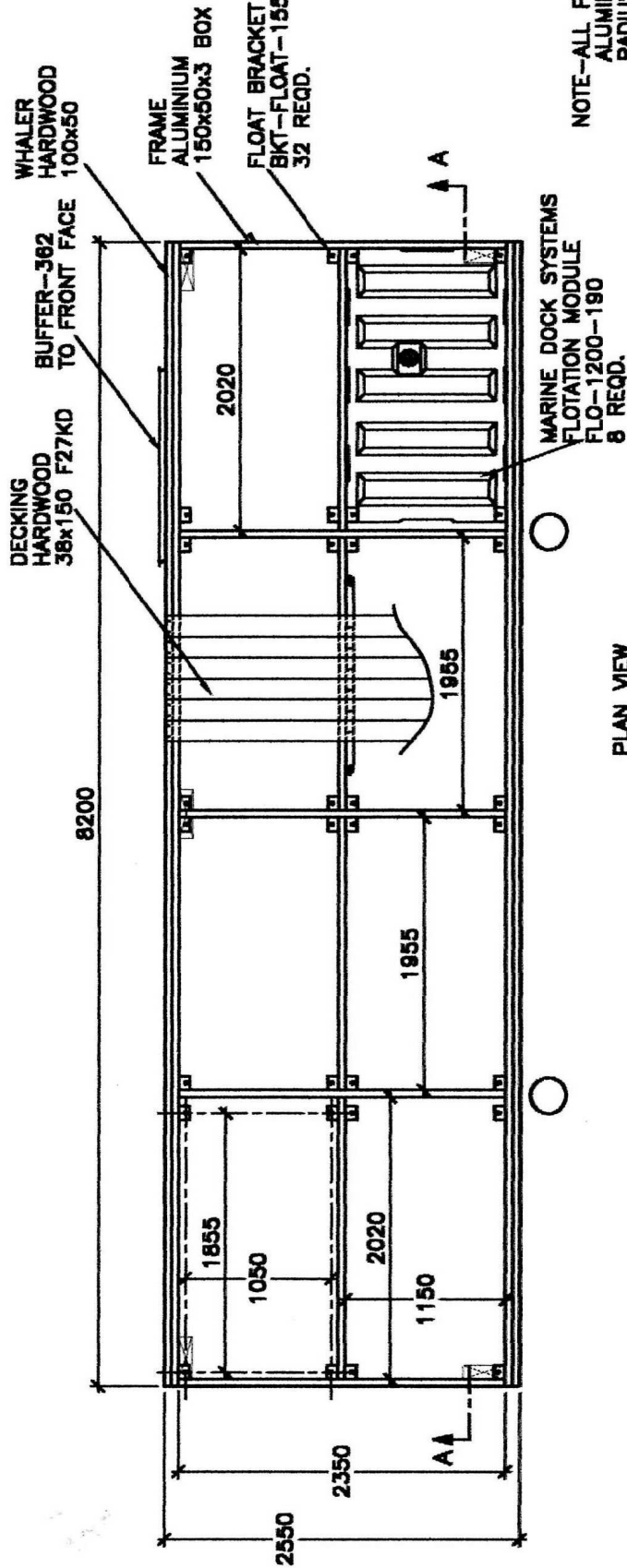


FOR ADDITIONAL ASSEMBLY
DETAILS, REFER TO THE
FOLLOWING DRAWINGS.
FLOAT AND DECK- A4-1503
BUFFER ASSEM- A4-740



PLAN VIEW

SECTION AA

FASTENERS REQUIRED.		
PART No.	ITEM	QTY. REQD
737	3/8" BOLTx3-1/2"	32
797	3/8" BOLTx4"	18
742	3/8" BOLTx4-1/2"	12
372	1" WASHER	60
296	1 1/2" WASHER	64
371	3/8" NYLOC NUT	62
729	DECK SCREW	285
731	BUFFER SCREW	48

NOTE-ALL FRAME IS FULLY WELDED ALUMINIUM WITH A NOMINAL FILLET RADIUS OF 5mm.
 -EXTRUSIONS ARE OF GRADE 6063-T5 OR EQUIVALENT. FILLER ALLOY IS 5356
 -ALL TIMBER IS TO BE TREATED WITH A SUITABLE PRESERVATIVE. (CREOSOTE, DECKING PAINT, ETC)
 -ALL FASTENERS ARE CORROSION RESISTANT STAINLESS STEEL.
 -ALL EXPOSED BOLTS ARE TO BE RECESSED INTO THE TIMBER BY COUNTER BORING.
 -ALL BOLT THREADS ARE TO BE TREATED WITH ANTI-SIEZE OR EQUIVALENT LUBRICATING COMPOUND PRIOR TO FASTENING.

DECK AREA 20.91m²
APPROX. WEIGHT 1570kg

**MARINE DOCK SYSTEMS
PTY LTD**

8.2m x2.5m PONTOON
8 x 1200L FLOATS

PONTOON-3157



SCALE	N.T.S.	DWG	A4-3157
DRAWN	B.J.M	REV	A 23.6.05
DATE	23.6.05	CHK	
		APP'D	